

Multipurpose Technical Rescue and Wildland Fire Helmet F2 X-TREM



High performance helmet for wildland fires and a variety of technical rescue missions like traffic accidents, natural disasters etc.

Key Features

The ergonomic design makes it safe and comfortable, even over long periods of use.

Protection and Resistance

- Highly resistant shell to shocks, exposure to elevated temperatures and chemical attack

Comfort and fit

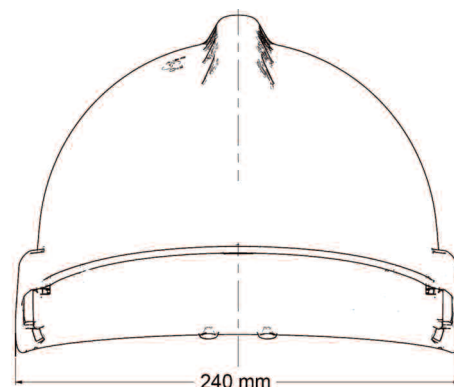
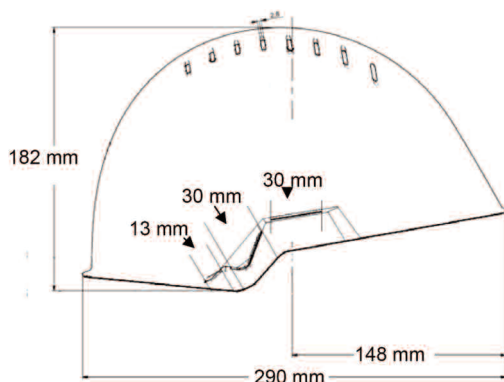
- Comfort headband covered with soft leather. Patented ratchet quick adjustment system, even with gloves on
- 3- point chinstrap for safe fit. Adjustable in 5 steps, with automatic buckles, flexible chincup
- Height-adjustable headband and net suspension

Modularity

- Interfaces for visors, goggles, hearing protectors, communication systems, attachment of full face masks and neck curtains

Technical specifications

Material helmet shell	<ul style="list-style-type: none"> • Advanced high temperature painted thermoplastic • Vented or unvented options
Material inner parts	Flame retardant polyamide blends and fibres
Headsize	Adjustable leather headband 52-64 cm
Weight	Helmet (without accessories): 650 g +/- 20g
Available helmet colours	Yellow, red, white, blue, green, grey, black, photoluminescent, fluorescent yellow, fluorescent orange






Multipurpose Technical Rescue and Wildland Fire Helmet F2 X-TREM

Approvals

CE Marking	To EC Directive 89/686/on Personal Protective Equipment
Mechanical requirements	<ul style="list-style-type: none"> • EN16471 – Wildland fire helmet • EN16473 – Technical Rescue helmet • EN12492 – Mountain Climbing
Main requirements (varies with helmet type)	<ul style="list-style-type: none"> • Shock absorption (top / lateral) • Penetration resistance • Lateral deformation resistance • Protection against high speed particles • Flame resistance • Thermal resistance (convection and radiant heat) • Effective retention system • Electrical properties • Resistance to contact with liquid chemicals • Low temperature performance (-30 degrees)

Application

Application		Configuration examples	CE Approvals
	Wildland Fire	<ul style="list-style-type: none"> • Vented shell • 3-point chinstrap • Safety goggles • Approx. 800g • Reflective stripes (optional) 	<ul style="list-style-type: none"> • EN 12492 • EN 16471/EN 16473 • EN 166 (Safety goggles)
Technical Rescue		<ul style="list-style-type: none"> • Vented shell • 3-point chinstrap • Approx. 650g • Reflective stripes (optional) 	<ul style="list-style-type: none"> • EN 12492 • EN 16473 / EN 16471
		<ul style="list-style-type: none"> • Unvented shell • 3-point chinstrap • Approx. 650g • Reflective stripes (optional) 	<ul style="list-style-type: none"> • EN 16473 / EN 16471

Responder Goggle

- Advanced eye protection against a multitude of hazards, like impacts, liquid splash, smoke, heat, hot solids, dust, wind and UV radiation
- Premium anti-fog and anti-scratch coating
- Optimal comfort with the F2X-TREM helmet, even during long operations

Complies with EN166 Standard (Personal Eye Protection)



Description	Part. No
Responder Goggle, Premium anti-fog and anti-scratch coating, 130g	GA3027B
Spare headband (10 pcs)	GA3027C

Neck curtains

- Neck curtain protection (optional).

Meeting EN443:2008 (§ 4.7.2, § 4.9.2, § 4.10.2, § 4.13.2), EN16471 & EN16473 requirements



Description	Part. No
Rear coverage, aluminized model, 40g	GA3234
Wide coverage, 100% wool model, 130g	GA3240

Lamps

- Hands free operation with light directed forwards
- Specific helmet attachment, safe and angle adjustable, ergonomic position
- Robust, compact and functional lamp design
- Variety of performances and operating concepts for different applications

ATEX Zone 0 approved lamps for use in hazardous areas.

Description	Part. No
XPS Lamp (1)	GA1488
XP Led Lamp (2)	GA1464
AS-R Lamp (3)	GA1481
XS Lamp (4) (Includes mounting fixture)	GA1466



Face Protection Visors

Various visors available (clear, mesh), all compatible with F2 X-TREM hearing protectors.

Meeting **EN166** (Personal Eye-Protection) or **EN 1731** (Mesh eye and face protectors) requirements.

Description	Part. No
Visor carrier to mount on F2 X-TREM with ear muffs	SOR60020
Fixation of visor carrier, F2 X-TREM (pair)	SOR60022
Clear PC visor, 20 cm, for electric arcs	SOR60043
Clear PC visor, 20 cm, anti-fog/anti-scratch	SOR60045
Clear PC visor, 16 cm	SOR60041
Nylon mesh visor	SOR60065



Full face masks

- Compatible with helmet mounted Breathing Apparatus (BA) face piece



Customization and Visibility

- Frontal and lateral customised stickers
- Retro-reflective stickers for higher visibility



Hearing Protectors



Description	Part. No
Passive attenuation ear-muff. 31dB	SOR12015

Communication Systems

- Available for over 100 analog or digital radios
- Please contact us for part numbers, depending on your radio.

